

L-BV 7 N

Data sheet 2BV7 060

Liquid ring vacuum pump

General information

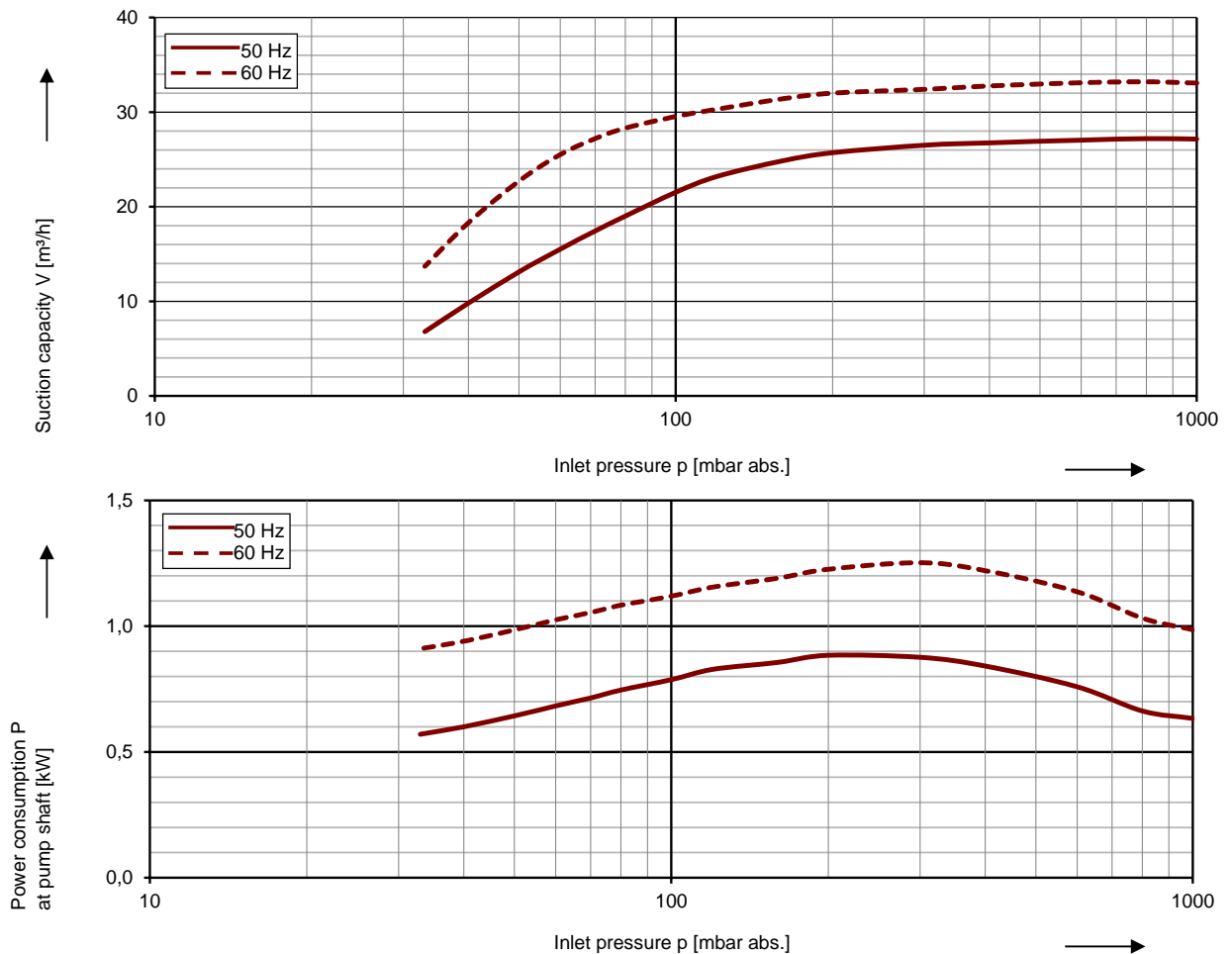
Elmo Rietschle vacuum pumps of the family L-BV7 are suitable for evacuating gases and wet vapours down to inlet pressures of 33 mbar abs. (97 % vacuum). All these vacuum pumps are equipped with built-in cavitation protection. They work cavitation free down to 80 mbar abs. For operation at lower inlet pressures the integrated cavitation protection should be connected for protecting the vacuum pump (no external pipes necessary).

Due to the compact design with their up-to-date technology the vacuum pump of the model range 2BV7 are the most space-saving of their kind. As standard they are available with a pump body in stainless steel (all external stainless steel parts are pickled and passivated). All non-stainless steel parts are painted in standard color RAL 9006.



Performance curves

Vacuum operation



The characteristic curves are based on the evacuation of 100 % saturated air and an intake temperature of 20 °C. At a suction pressure of 1013 mbar abs. and a temperature of the operating liquid of 15 °C (water as operating liquid) the characteristic curves will be achieved. The tolerance is $\pm 10\%$.

The motors are supplied as standard for the input voltage ranges of 50 and 60 Hz and for the protection category IP55 as well as approved for UL and CSA.

Selection and ordering data

Typ 2BV7 060

Fre- quency	Rated			Service factor	Efficiency	Quantity of operating liquid	Sound pressure level ²⁾	Weight Approx.	Order No.
	Voltage	Current	Power						
Hz	V	A	kW	SF	-	m ³ /h	dB(A)	kg	
3~ 50/60 Hz, IP55, Insulation material class F, UL 1450 and CAN/CSA C22.2 No. 68-09 (certificate number E225239)									
50	190-210 Δ	4,7 Δ	0,85	1,29	IE3	¹⁾	62	20	2BV7060-2 □ K00-1B
60	190-210 YY / 380-480 Y	5,40 YY / 2,70 Y	1,15	1,10	IE3	¹⁾	65		
	200 YY	4,60 YY	1,15	1,04	NP	¹⁾	65		
3~ 50/60 Hz, IP55, Insulation material class F, UL 1450 and CAN/CSA C22.2 No. 68-09 (certificate number E225239)									
50	220-240 Δ / 380-420 Y	4,5 Δ / 2,6 Y	0,85	1,29	IE3	¹⁾	62	20	2BV7060-2 □ K00-6B
60	220-240 YY / 440-480 Y	4,9 YY / 2,45 Y	1,15	1,10	IE3	¹⁾	65		
	230 YY / 460 Y	3,95 YY / 1,98 Y	1,15	1,15	NP	¹⁾	65		
3~ 50/60 Hz, IP55, Insulation material class F, UL 1450 and CAN/CSA C22.2 No. 68-09 (certificate number E225239)									
50	500 Y	1,82 Y	0,85	1,29	IE3	¹⁾	62	20	2BV7060-2 □ Q00-3B
60	575 Y	1,58 Y	1,15	1,04	NP	¹⁾	65		
3~ 50/60 Hz, IP55, Insulation material class F, UL 1450 and CAN/CSA C22.2 No. 68-09 (certificate number E225239)									
50	380-420 Δ / 660-725 Y	2,35 Δ / 1,36 Y	0,85	1,29	IE3	¹⁾	62	20	2BV7060-2 □ Q00-7B
60	440-480 Δ	2,35 Δ	1,15	1,10	IE3	¹⁾	65		
	460 Δ	1,98 Δ	1,15	1,04	NP	¹⁾	65		
3~ 50/60 Hz, IP55, Insulation material class F, UL 1450 and CAN/CSA C22.2 No. 68-09 (certificate number E225239)									
50	220-240 Δ / 380-420 Y	4,13 Δ / 2,37 Y	0,85	1,29	IE3	¹⁾	62	20	2BV7060-2 □ Q00-6B
60	440-480 Y	2,25 Y	1,15	1,10	IE3	¹⁾	65		

Materials

Casing	Port plate	Impeller	Lantern	
CrNi steel	CrNi steel	Bronze	Cast iron	A

2) Measuring surface sound pressure level acc. to EN ISO 3744, measured with an equivalent unit at a distance of 1 m. The pump is throttled to an average suction pressure, with piping connected, but no relief valves fitted, tolerance ±3 dB (A).

Other Voltages [V]

Voltage range		Efficiency	C _{RI} US	60 Hz	2BV7...-... □ ... □
50 Hz	60Hz				
3~					
200 Δ	200 YY / 230 Δ / 400 Y		•		K 1
190-210 Δ	190-210 YY / 220-240 Δ / 380-420Y		•		K 1
200 YY / 230 Δ / 400 Y	230 YY / 460 Y		•		K 6
190-210 YY / 220-240 Δ / 380-420 Y	220-240 YY / 440-480 Y		•		K 6
475-525 Y	550-600 Y		•		Q 3
475-525 Δ	550-600 Δ		•		Q 5
220-240 Δ / 380-420 Y	440-480 Y		•		Q 6
400 Δ / 690 Y	460 Δ		•		Q 7

All L-BV fulfil the 2006/42/EC (machinery) and 2014/35/EU (low voltage) directives and the EN 60034-1 norm "Rotating electrical machines". The motors comply with EN 60 034 (IEC 60034) and thermal class F. Voltage tolerances for three phase motors are +/-10%. The frequency tolerance is +/- 2 % maximum. Service factor (SF) and motor efficiency according NEMA MG1-12.

1) Operation liquid quantity for 50 Hz / 60 Hz [m³/h]

p1	Fresh water		Partial recirculation		
	15 °C		8 °C	10 °C	12 °C
mbar abs.					
>500	0,2 / 0,2	0,07 / 0,09	0,09 / 0,1	0,11 / 0,13	
200-500	0,2 / 0,2	0,07 / 0,09	0,09 / 0,1	0,11 / 0,13	
<200	0,2 / 0,2	0,07 / 0,09	0,09 / 0,1	0,11 / 0,13	

For partial recirculation operation the quantity of the fresh applied refrigerant can be reduced by circulation of the operating liquid in a circuit (with discharge liquid separator and internal recirculation of the operating liquid, available as accessories). Complete circuit systems L-SV available on request.

Max. additional water carry over / Back pressure

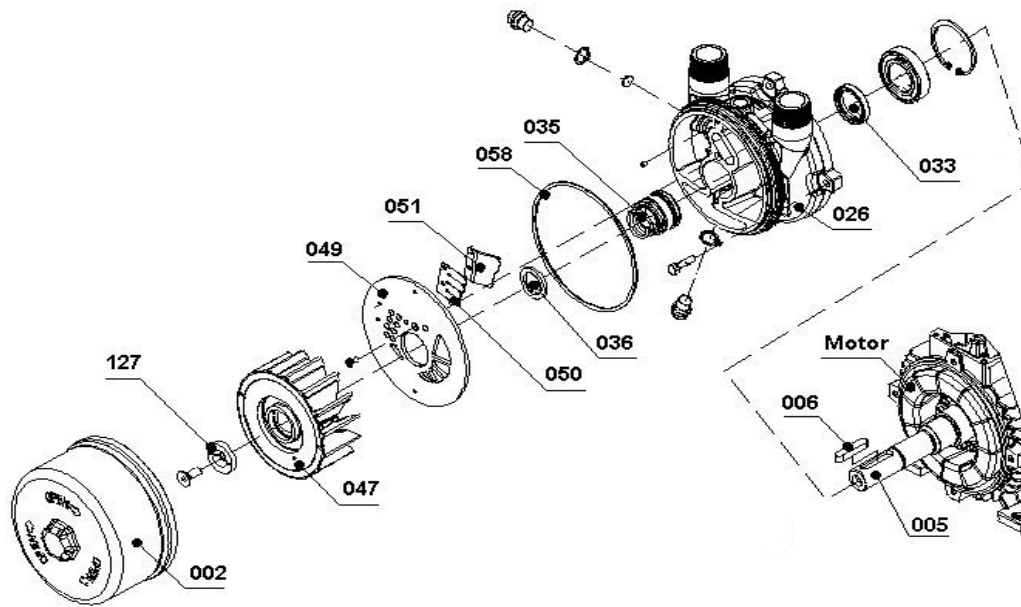
Frequency [Hz]	Water carry-over [m ³ /h]	Back pressure [mbar] abs.
50	0,5	1200
60	0,5	1200

An inlet pressure of 10 mbar abs. can be achieved by connecting a gas ejector (see accessories). The gas ejector can be mounted directly onto the vacuum pump.

The cast iron machines are completely painted in standard color RAL 9006.

All cast parts of the stainless steel version are pickled and passivated, the motor is standardly painted in RAL 9006.

Materials



Part No.	Materials	
	2BV7. ...A... ..	
	CrNi steel / bronze / cast iron	
002	Casing	Chrome-nickel steel (X5CrNi 1810 - / 1.4301) EN 10088 - 2
005	Pump shaft	Chrome-steel (X20Cr13 / 1.4021) EN 10088 - 3
006	Feather key	Chrome-nickel-molybdenum steel (X6CrNiMoTi 17-12-2 / 1.4571) EN 10088 - 3
026	Lantern	Grey cast iron (EN-GJL200 / EN-JL 2030) EN 1561
033	Radial shaft seal	Nitrile-butadiene-caotchouc (NBR) ISO 1629
035	Mechanical seal	Carbon / SIC / Viton (FPM) / chrome-nickel-molybdenum steel (EN 12756 - BQ1VGG)
036	Washer	Chrome-nickel-molybdenum steel (X5CrNiMo 17-12-2 / 1.4401) EN 10088 - 3
047	Impeller	Cast aluminium bronze (G-CuAl10Fe5Ni5 / CC33G-GS) EN 1982
049	Port plate	Chrome-nickel-molybdenum steel (X6CrNiMoTi 17-12-2 / 1.4541) EN10088-2
050	Valve plate	Teflon(PTFE)
051	Intercepting plate	Chrome-nickel-molybdenum steel (X5CrNiMo 17-12-2 / 1.4401) EN 10088 - 2
058	Seal (O-Ring)	Nitrile-butadiene-caotchouc (NBR) ISO 1629
127	Retaining washer	Chrome-nickel-molybdenum steel (X6CrNiMoTi 17-12-2 / 1.4571) EN 10088 - 2

Changes in particular of the quoted performance curve, data and weights may occur without prior notice. The data given do not constitute an obligation from our side to deliver as shown.



Your Ultimate Source for Vacuum and Pressure

Gardner Denver Deutschland GmbH

Industriestraße 26
97616 Bad Neustadt - Germany
Tel.: +49 9771 6888-0
Fax: +49 9771 6888-4000

www.gd-elmorietschle.com • er.de@gardnerdenver.com

Gardner Denver Schopfheim GmbH

Johann-Sutter-Straße 6+8
79650 Schopfheim - Germany
Tel.: +49 7622 392-0
Fax: +49 7622 392-300